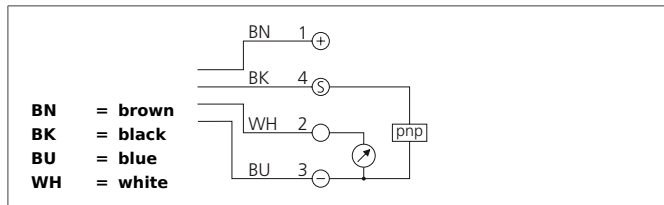
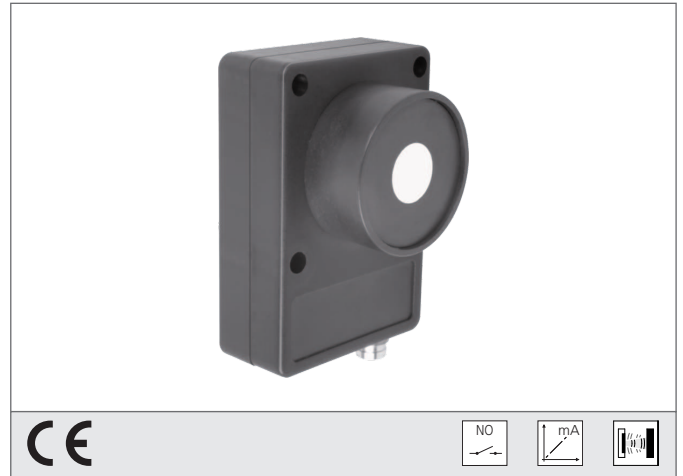


US 60 K 500 PSI-TSSL

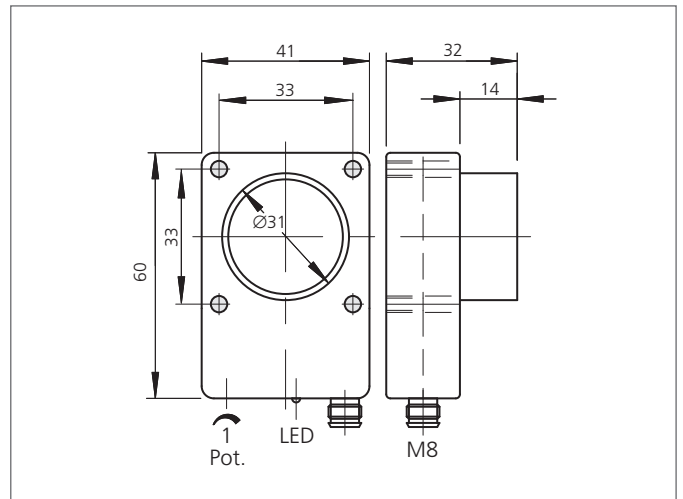
Ultrasonic Sensor

- Robust casing
- Compact design
- Scanning range adjustable
- Insensitive to dirt
- Insensitive to ambient noise
- Scanning does not depend on surface
- Switching output and analog output
- High follow-up speed
- High resolution
- Piezo-ceramic composite transducer



Safety instructions

The Instruments are not to be used for safety applications, in particular applications in which safety of persons depends on proper operation of the instruments.
These instruments shall exclusively be used by qualified personnel.



TECHNICAL INFORMATION (typ.)	+20°C, 24V DC
Operating principle	Ultrasonic sensor
Evaluation	digital, analog
Size	60 x 41 x 18 mm (Dimensions)
Design	cuboid design
Service voltage	15 ... 30 V DC
Internal power consumption	< 80 mA
Operating distance	80 ... 500 mm
Resolution	0,2 % / Sn max.
Switching output	pnp, 100 mA, NO + analog
Switching hysteresis	15 mm
Analog output	6,6 ... 20 mA
Tracking speed	60 ms (95% Sn max.)
Operating frequency	180.000 Hz
Ripple	60 mV
Linearity analog output	< 0,5 % / Sn max.
Switching frequency	8 Hz
Response-/release time	50 ms / 80 ms (50% Sn max.)
Reproducibility	< 1 % / Sn max.
Ambient temperature	-20 ... +50 °C
Temperature error	1 % (-20 ... +50°C)
Load resistance	< 400 Ω
Insulation voltage endurance	500 V
Protection class	IP 67

US 60 K 500 PSI-TSSL

Ultrasonic Sensor



TECHNICAL INFORMATION (typ.)	+20°C, 24V DC
Casing material	polyamide
Connection	Connector, M8, 4-poled